



# Safety Source Capsule SSC

Safety made by Berthold



## Safe Handling of Radioactive Sources

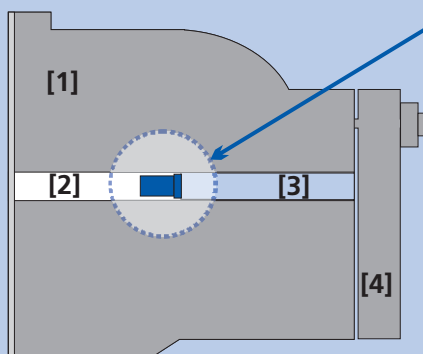
Radiation sources used for radiometric measurements are sealed in an extremely tight and durable capsule. The quality of this capsule is an essential factor, as radiometric measuring systems often work in the most demanding and hostile process conditions.

The safety source capsule SSC sets new standards in safety and reliability. It contains several capsules mounted inside each other and is highly resistant to heat and corrosive atmospheres. Even under extreme measuring conditions SSC can be used without hesitation.

## Exceeding Standards

The Safety Source Capsule SSC contains the radioactive source. Ensuring maximum safety, it fulfills the best possible ISO-classification and exceeds the highest protection class by far.

- **Maximum Temperature Stability**  
The capsule is tested up to 1200°C / 60 min.
- **Titanium or Stainless Steel**  
Depending on the process conditions, the capsule can be manufactured from Titanium or Stainless Steel, ensuring the highest corrosion protection.
- **3-fold Encapsulation**  
The radioactive source is placed in an interior capsule, which is itself sealed within the SSC. For applications where even this double encapsulation is not sufficient, a triple encapsulation of the radioactive source is also available as an option.
- **Highest Operational Safety**  
Tested according to ISO 2919, where SSC exceeds even the highest classification 66646, as well as leak-tested according to ISO 9978 and DIN 25426.



### Well shielded

The source capsule is mounted within a compact shielding, allowing the radiation to exit only in the detector's direction. Screwed on a source holder, the capsule is firmly fixed in its position and can be easily replaced.



- [1] Shielding  
(Lead, Tungsten or Stainless Steel)
- [2] Radiation path  
for a directed radiation beam
- [3] Source holder with capsule
- [4] Shutter mechanism

### Customised production

BERTHOLD is the world-wide single supplier for radiometric process control with in-house source production. The radioactive sources are produced according to individual customer requirements using state-of-the-art production technology.



### Technical Support Inclusive!

Our sales engineers and application experts determine the required source size – individually and specifically for your measuring task. Thereby we pursue our mission that the radiation should be kept as low as absolutely necessary. Due to our highly sensitive detector technology, we are able to reduce the source activity by up to 80%.

Information about Shieldings see in separate brochure.  
Right to implement technical improvements and/or changes without prior notice reserved!

